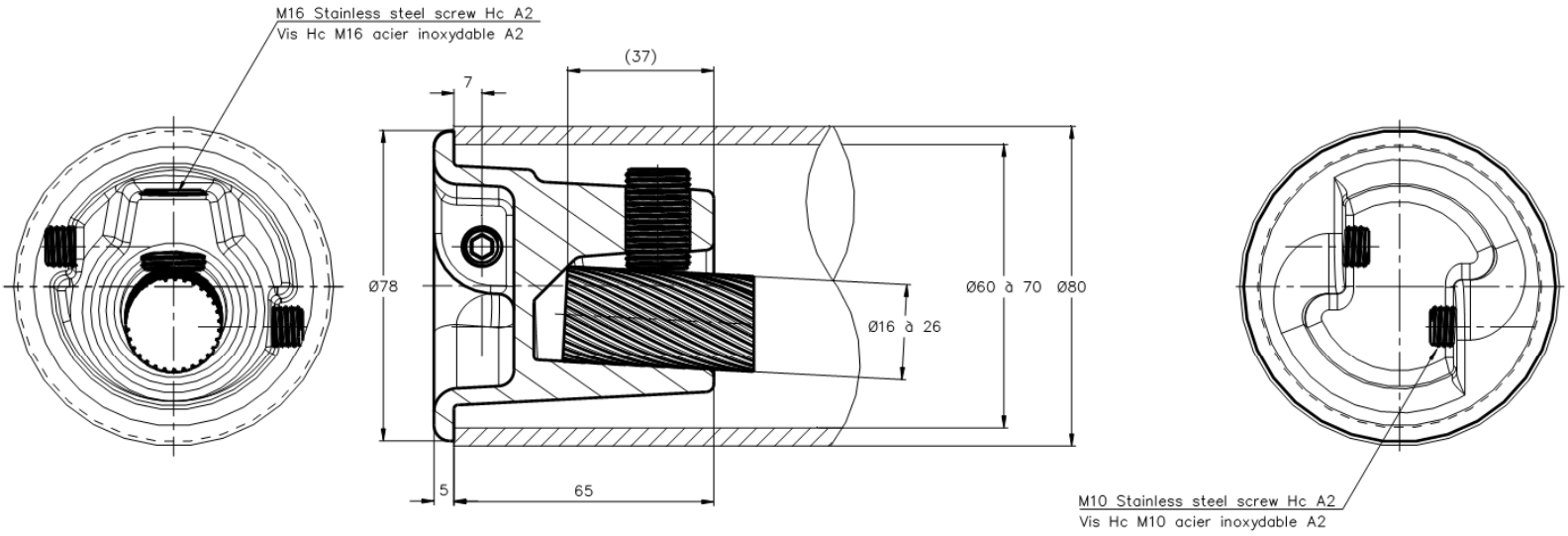


THIS DRAWING IS UNPUBLISHED. RELEASED FOR PUBLICATION
 © COPYRIGHT - By - ALL RIGHTS RESERVED.

REVISIONS					
P	LTR	DESCRIPTION	DATE	DWI	APVD
C		ECO-16-017627	17-Dec-16	GL	-



ITEM:.....

THIS DRAWING IS A CONTROLLED DOCUMENT.		DWI: GARNIER P. 31-Mar-16	STE TE Connectivity	
DIMENSIONS: mm		CHK: -		
TOLERANCES UNLESS OTHERWISE SPECIFIED:		APVD: -	PRODUCT SPEC: 108-69090-001	
<ul style="list-style-type: none"> Ø PLC ± - 1 PLC ± - 2 PLC ± - 3 PLC ± - 4 PLC ± - ANGLES ± - 		APPLICATION SPEC: -		RESTRICTED TO: -
MATERIAL: -		WEIGHT: 0.25 kg	SIZE: A3	CAGE CODE: 00779
FINISH: -		DRAWING NO: C=2302042		SCALE: 1/1
		CUSTOMER DRAWING		SHEET: 1 of 1